

## FLOW SENSOR

### Vass Asia Sensormatic

#### FL-03-ST



#### FEATURES:

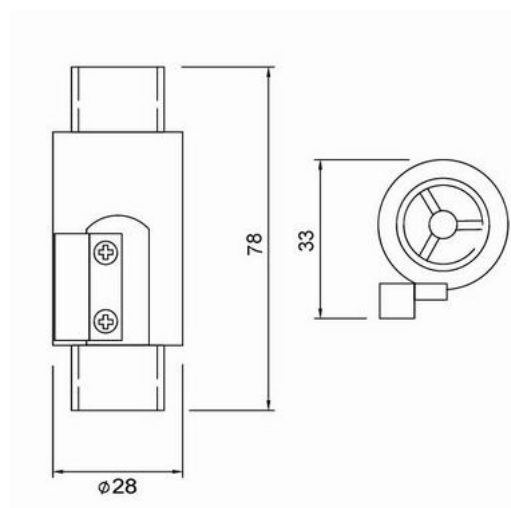
Material: Stainless Steel - SUS304

Control of various amounts of flowing liquid in a small-scale process.

Detection of amount of flowing liquid in a pump, hot water and warm water supplies.

#### SPECIFICATION

| Part No.           | FL-03-ST           |
|--------------------|--------------------|
| Contact Type       | Normal Open        |
| Temperature Rating | -10 to 125 deg C   |
| Input Diameter     | 1/2"               |
| Output Diameter    | 1/2"               |
| Min. Start Flow    | 1LPM               |
| Max. Pressure      | 1.5 MPA            |
| Install Angle      | Level & Vertically |



Vass Asia sensormatic corp

11F-1, No.197, Sec 4, Nanjing E Rd, Taipei, Taiwan. TEL : 886-2-8712-7677 / 8712-6292 FAX : 886-2-8712-7578

Website: [www.sensor-solution.com](http://www.sensor-solution.com)