

FLOAT SENSOR

FT-V45-PP-M10

Vass Asia sensormatic

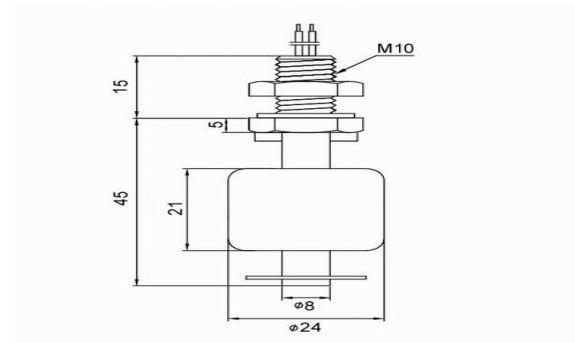


- Material:
Float: PP, Body: PP + GF

This item is a versatile, vertically mounted switch designed and priced for a full range of OEM and special purpose level control applications. Available in M10 mounting, it can be easily converted from normally open to normally close by inverting the float. Ideal for shallow tanks, this item has a larger displacement than the sub-compact model and its large selection of engineered plastic materials make it suitable for unlimited types of media including water-based, oil-based, low density and ultra pure liquids.

SPECIFICATION

Part No.	FT-V45-PP
Contact Rating (Max.)	10(VA)W
Switching Voltage (Max.)	200VDC
Switching Current (Max.)	0.5A
Breakdown Voltage (Max.)	300VDC
Carry Current (Max.)	1.5Amp.DC
Contact Resistance (Max.)	100mΩ
Operating Temperature	-10 Deg C to 85 Deg C



Vass Asia sensormatic corp

11F-1, No.197, Sec 4, Nanjing E Rd, Taipei, Taiwan. TEL : 886-2-8712-7677 / 8712-6292 FAX : 886-2-8712-7578

Website: www.sensor-solution.com