

FLOAT SENSOR

FT-V35-PP

Vass Asia sensormatic

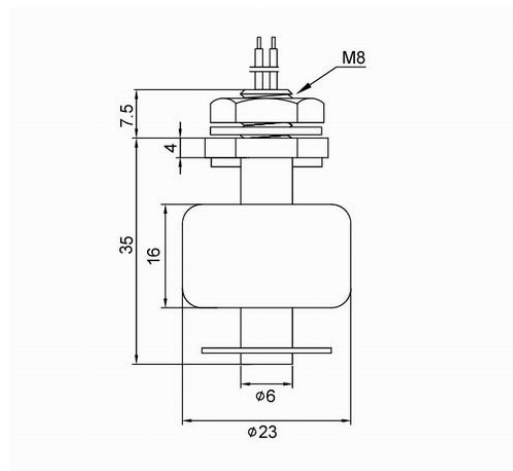


- Material:
Float: PP, Body: PP + GF

This item is a versatile, vertically mounted switch designed and priced for a full range of OEM and special purpose level control applications. Available in 1/8" NPT or 3/8" mounting options, it can be easily converted from normally open to normally close by inverting the float. Ideal for shallow tanks, this item has a larger displacement than the sub-compact model and its large selection of engineered plastic materials make it suitable for unlimited types of media including water-based, oil-based, low density and ultra pure liquids.

SPECIFICATION

| | |
|---------------------------|-----------------------|
| Part No. | FT-V35-PP |
| Contact Rating (Max.) | 10(VA)W |
| Switching Voltage (Max.) | 200Volts.DC |
| Switching Current (Max.) | 0.5Amp.DC |
| Breakdown Voltage (Max.) | 300Volts.DC |
| Carry Current (Max.) | 1.5A.DC |
| Contact Resistance (Max.) | 100Milliohms |
| Operating Temperature | -10 Deg C to 85 Deg C |



Vass Asia sensormatic corp

11F-1, No.197, Sec 4, Nanjing E Rd, Taipei, Taiwan. TEL : 886-2-8712-7677 / 8712-6292 FAX : 886-2-8712-7578

Website: www.sensor-solution.com