

FLOAT SENSOR

FT-V25-PP

Vass Asia sensormatic



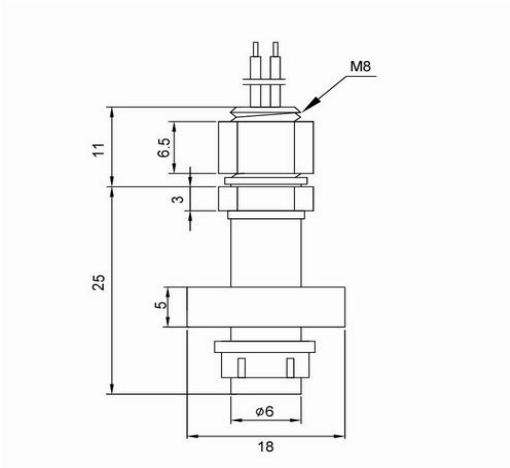
Features:

- Material: Float & Body - PP

This item is a versatile, vertically mounted switch designed and priced for a full range of OEM and special purpose level control applications. Available in 1/8" NPT or 3/8" mounting options, it can be easily converted from normally open to normally close by inverting the float. Ideal for shallow tanks, this item has a larger displacement than the sub-compact model and its large selection of engineered plastic materials make it suitable for unlimited types of media including water-based, oil-based, low density and ultra pure

SPECIFICATION

Part No.	FT-V25-PP
Contact Rating (Max.)	10W
Switching Voltage (Max.)	100VDC
Switching Current (Max.)	0.5A
Breakdown Voltage (Max.)	220VDC
Carry Current (Max.)	1.0A
Contact Resistance (Max.)	100mΩ
Operating Temperature	-10 Deg C to 60 Deg C



Vass Asia sensormatic corp

11F-1, No.197, Sec 4, Nanjing E Rd, Taipei, Taiwan. TEL : 886-2-8712-7677 / 8712-6292 FAX : 886-2-8712-7578

Website: www.sensor-solution.com