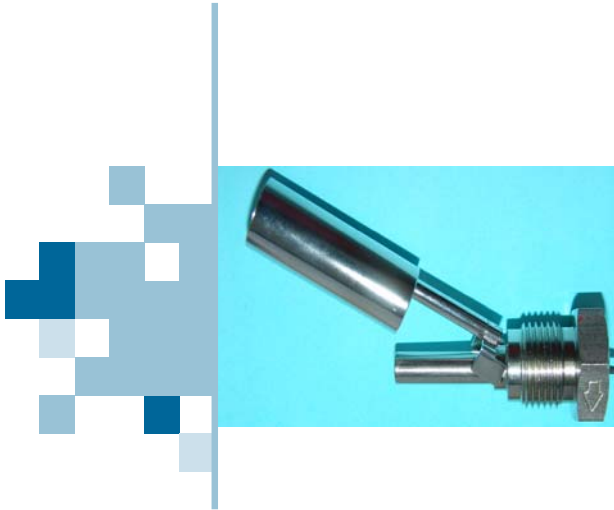


# FLOAT SENSOR

## FT-ST-03

### Vass Asia sensormatic



#### Features:

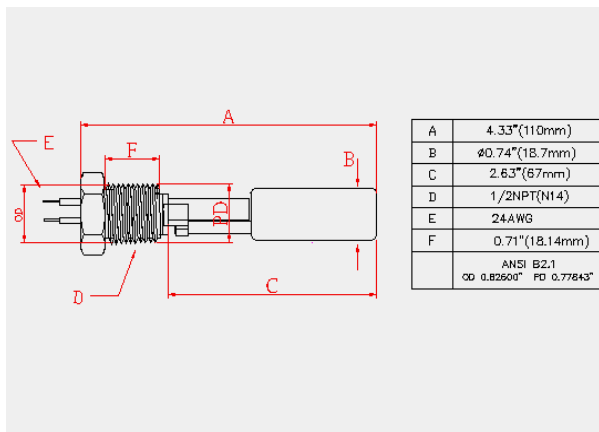
- Material:  
Float: Stainless steel Body: Stainless Steel

#### Applications:

- Designed for low-cost, high volume use, these small size vertical switches are excellent for shallow and restricted tank spaces and are suitable for most harsh and corrosive environments.

### SPECIFICATION

Part No.	FT-ST-03
Contact Rating (Max.)	50W
Switching Voltage (Max.)	220VDC
Switching Current (Max.)	1.5A
Breakdown Voltage (Max.)	300VDC
Carry Current (Max.)	3.0A
Contact Resistance (Max.)	100mΩ
Operating Temperature	-30 Deg C to 125 Deg C



Vass Asia sensormatic corp

11F-1, No. 197, Sec 4, Nanjing E Rd, Taipei, Taiwan. TEL : 886-2-8712-7677 / 8712-6292 FAX : 886-2-8712-7578

Website: [www.sensor-solution.com](http://www.sensor-solution.com)