

FLOAT SENSOR

FT-ST-02-HT

Vass Asia sensormatic



Features:

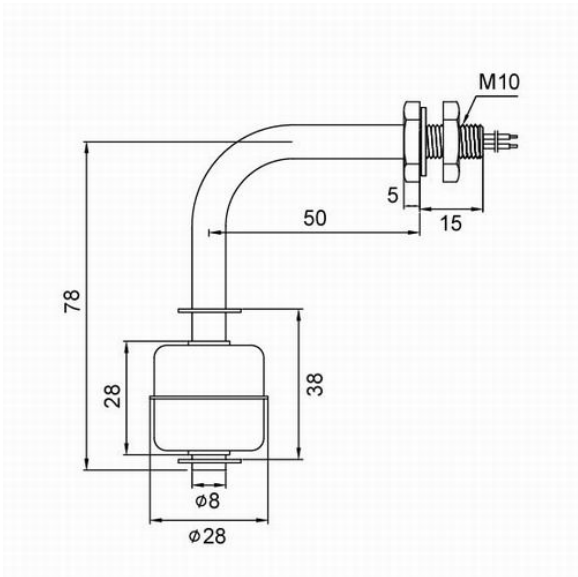
- Material: Float & Body - stainless steel -SUS304

Application:

- Designed for low-cost, high volume use, these small size vertical switches are excellent for shallow and restricted tank spaces and are suitable for most harsh and corrosive environments.

SPECIFICATION

Part No.	FT-ST-02-HT
Contact Rating (Max.)	10(VA)W
Switching Voltage (Max.)	200VDC
Switching Current (Max.)	0.5A
Breakdown Voltage (Max.)	300VDC
Carry Current (Max.)	1.5Amp.DC
Contact Resistance (Max.)	100mΩ
Operating Temperature	-30 Deg C to 220 Deg C



Vass Asia sensormatic corp

11F-1, No.197, Sec 4, Nanjing E Rd, Taipei, Taiwan. TEL : 886-2-8712-7677 / 8712-6292 FAX : 886-2-8712-7578

Website: www.sensor-solution.com