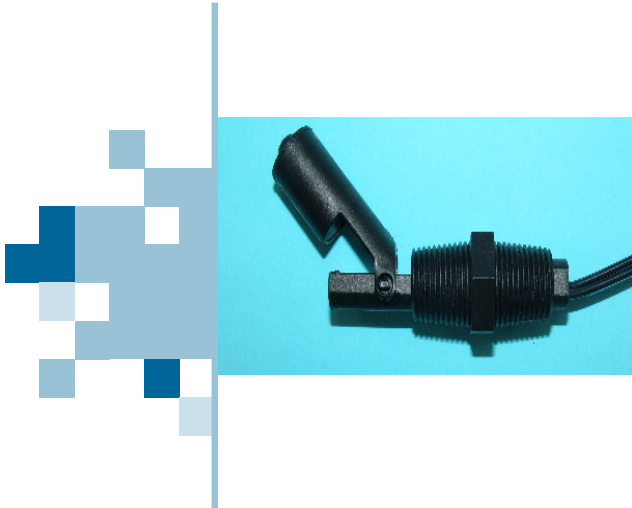


# FLOAT SENSOR

## FT-H2-PP

Vass Asia sensormatic



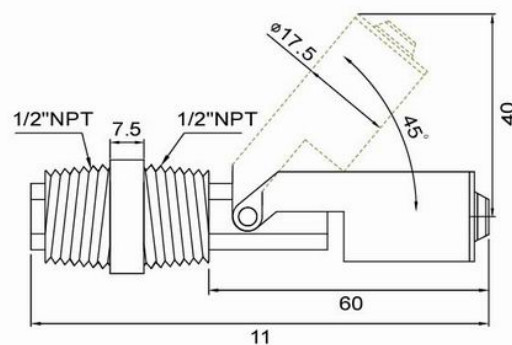
### Features:

- Material:  
Float: PP, Body: PP

This item is a versatile, horizontally mounted switch designed and priced for a full range of OEM and special purpose level control applications. Available in 1/2" NPT mounting options, it can be easily converted from normally open to normally close by inverting the float. Ideal for shallow tanks, this item has a larger displacement than the sub-compact model and its large selection of engineered plastic materials make it suitable for unlimited types of media including water-based, oil-based, low density and ultra pure liquids.

### SPECIFICATION

Part No.	FT-H2-PP
Contact Rating (Max.)	10(VA)W
Switching Voltage (Max.)	200VDC
Switching Current (Max.)	0.5A
Breakdown Voltage (Max.)	300VDC
Carry Current (Max.)	1.5Amp.DC
Contact Resistance (Max.)	100mΩ
Operating Temperature	-10 Deg C to 85 Deg C



Vass Asia sensormatic corp

11F-1, No. 197, Sec 4, Nanjing E Rd, Taipei, Taiwan. TEL : 886-2-8712-7677 / 8712-6292 FAX : 886-2-8712-7578

Website: [www.sensor-solution.com](http://www.sensor-solution.com)